

Full technical details and distributor information can be found on our website www.blindbolt.co.uk
All dimensions are stated in millimetres unless noted otherwise.

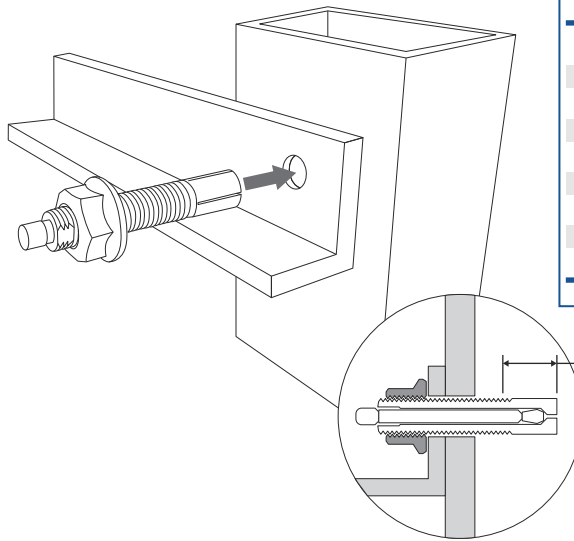


Printing Date: March 2019

Installation Instructions

Step 1

Using the table opposite drill an appropriate fixing hole in both components to be connected, also note clamping range and depth clearance required.



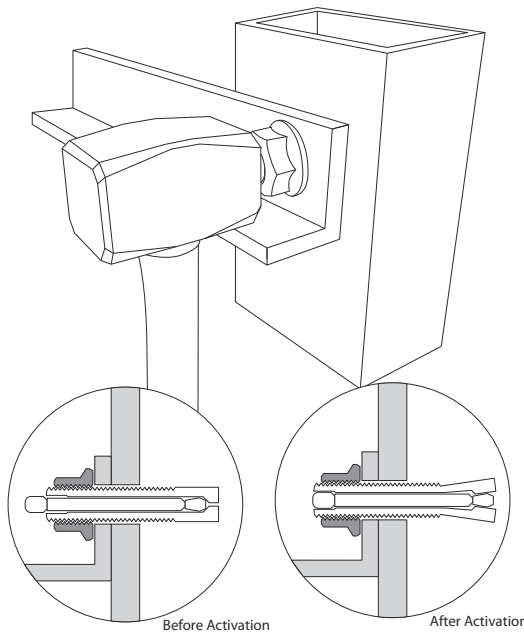
| Product Code | Bolt Size | Hole Diameter | Clamping Range | | Depth Clearance |
|--------------|-----------|---------------|----------------|-----|-----------------|
| | | | Min | Max | |
| HD0845ZF | M8 x 45 | 8 | 7 | 25 | 10 |
| HD1045ZF | M10 x 45 | 10 | 7 | 25 | 12 |
| HD1060ZF | M10 x 60 | 10 | 7 | 40 | 12 |
| HD1245ZF | M12 x 45 | 12 | 8 | 22 | 15 |
| HD1260ZF | M12 x 60 | 12 | 8 | 37 | 15 |
| HD1660ZF | M16 x 60 | 16 | 12 | 30 | 25 |
| HD1675ZF | M16 x 75 | 16 | 12 | 45 | 25 |
| HD2070ZF | M20 x 70 | 20 | 15 | 32 | 30 |
| HD2085ZF | M20 x 85 | 20 | 15 | 47 | 30 |

(All values in mm unless stated otherwise)

NOTE: Ensure to insert the HD Bolt into the fixing hole to a sufficient depth to allow the bolt legs to activate fully.

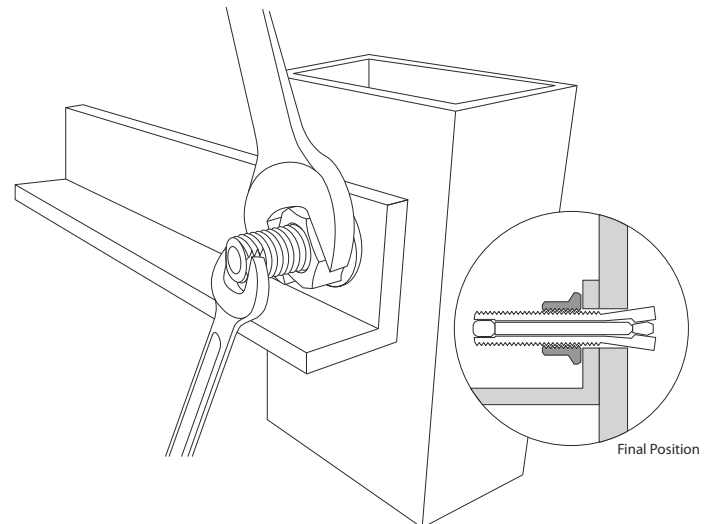
Step 2

Using a suitably weighted hammer strike the activation pin at the head of the bolt until flush with the bolt head. This will force apart the anchoring legs at the base of the bolt into their locked position.



Step 3

Finally, brace the HD Bolt using a suitable spanner attached to the machined flats at the head of the bolt and tighten the supplied nut to the recommended pre-load torque found below. Full technical information for the HD bolt can be found on our website.



| Bolt Size | Recommended Pre-load Tightening Torque (Nm) | |
|-----------|---|-----------------------|
| | Geomet 500B | A4-70 Stainless Steel |
| M8 | 20 | 18 |
| M10 | 35 | 24 |
| M12 | 45 | 30 |
| M16 | 95 | 45 |
| M20 | 120 | 80 |